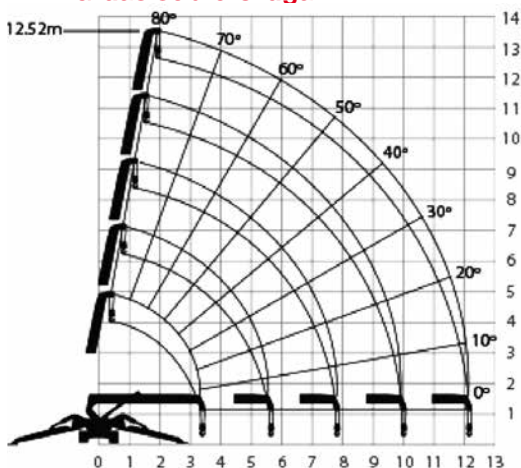


Mini-Grúas sobre Oruga

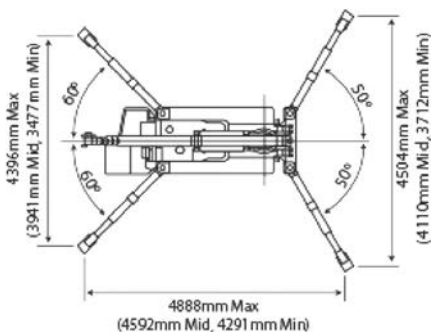


Altura
trabajo
12,52 m

Altura trabajo	12,52 m
Capacidad plataforma	2,98 t x 2,50 m
Radio de trabajo	12,16 m x 260 Kg
Longitud	4,28 m
Anchura	1,28 m
Altura	1,69 m
Peso	Eléctrica 3.900 Kg/ 4.040 Kg

NOTA: las dimensiones de algunas unidades de este modelo pueden variar.

Equipo

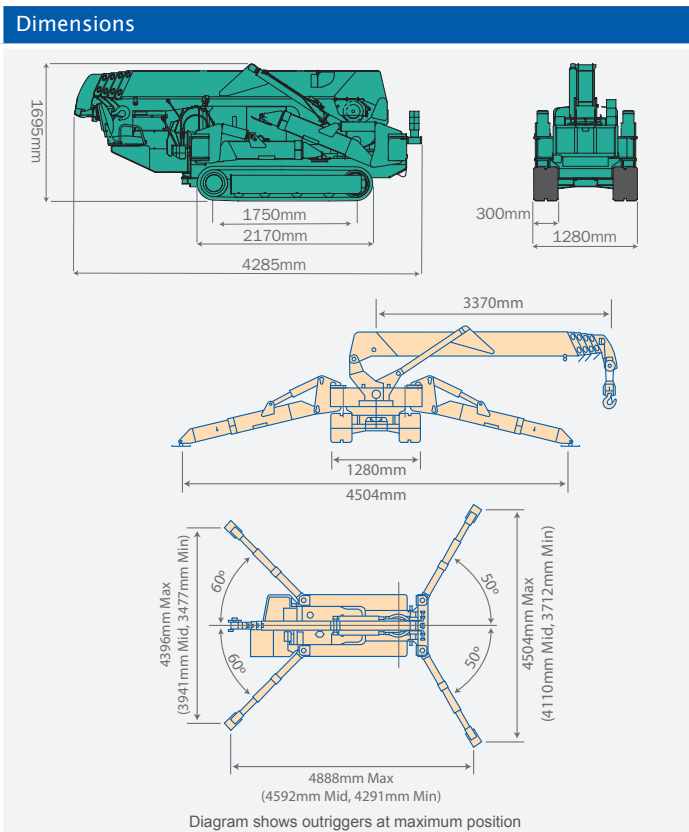




MAEDA MC305-2 CRM(E) Mini Crane

Specifications		
Capacity	Maximum	2.98 t x 2.5m
Working Radius	Maximum	12.16m x 260kg
Lifting Height	Maximum	12.52m x 790kg
Dimensions	MC305 CRM(E)	4285mm x 1280mm x 1695mm
Weight	MC305 CRM MC305 CRME	3900kg 4040kg
Hook Speed	Maximum	13.5m / min. (4 falls, 4th layer)
Single Line Speed	Maximum	54m / min. (4th layer)
Hoist Rope	Type	IWRC 6 x WS (26) Ø 8mm x 73m
Telescopic System	Boom length Telescoping speed Boom type	3.695m - 12.485m 8.79m / 38 sec (26 sec) Fully automatic 5 section pentagonal telescopic boom
Boom Hoist System	Hoist angle / speed	0° - 80° / 21 sec. (14.5 sec)
Slew System	Slew angle / speed	360° continuous / 2.4 rpm (1.7 rpm)
Outrigger System	Type Maximum extended dimensions	Extension and set-up by hydraulic cylinders. (Length) 4888mm x (Front) 4504mm x (Rear) 4396mm
Traction System	Drive Travel speed Gradability Ground length x width Ground pressure	Hydraulic motor driven, stepless speed changer 0 - 2.8 km/h (1.3 km/h) 23° 1750mm x 300mm (Track dimensions) 0.37 kgf / cm ² (0.38 kgf / cm ² CRME)
Engine	Model Type Rated output Starting method Fuel tank capacity	Yanmar 3TNV76 3 cylinder water cooled diesel 15.2 Kw / 2500 rpm Electric Diesel / 40L
Electric Motor (Optional)	Type Size	Fully enclosed fan cooled motor 5.5 Kw 4P 380V
Standard Equipment	Overwind protection, hydraulic safety valves, wire rope latch, level, machine body inclination alarm, EMO switch, travel lock lever, outrigger interlock device, moment limiter, working status lamp, hour-meter, 4-fall / 2-fall hook block, black rubber tracks and cable remote control.	
Optional Equipment	Radio remote control, white rubber tracks, single fall hook, searcher hook.	

Maximum Reach Below Ground Level		
Four Fall	Two Fall	Single Fall
16.09m	32.18m	64.36m



Total rated load Outriggers at Maximum position							
3.7m/5.945m boom		8.145m boom		10.315m boom		12.485m boom	
Working radius (m)	Total rated load (kg)	Working radius (m)	Total rated load (kg)	Working radius (m)	Total rated load (kg)	Working radius (m)	Total rated load (kg)
< 2.5	2980	2.7	2270	4	1080	< 4.5	790
3	2390	3	2120	4.5	985	5	660
3.5	1990	3.5	1680	5	880	6	520
4	1710	4	1440	6	770	7	430
4.5	1490	4.5	1260	7	670	8	380
5	1340	5	1110	8	570	9	340
5.62	1160	5.5	990	9	500	10	310
		6	880	9.99	435	11	280
		7	730			12.16	260
		7.82	630				

Total rated load Outriggers at Middle position							
3.7m/5.945m boom		8.145m boom		10.315m boom		12.485m boom	
Working radius (m)	Total rated load (kg)	Working radius (m)	Total rated load (kg)	Working radius (m)	Total rated load (kg)	Working radius (m)	Total rated load (kg)
< 2.5	2980	2.7	2270	4	1060	< 4.5	780
3	2360	3	2090	4.5	950	5	650
3.5	1960	3.5	1680	5	860	6	500
4	1680	4	1420	6	750	7	410
4.5	1380	4.5	1240	7	630	8	360
5	1140	5	1070	8	490	9	320
5.62	950	5.5	950	9	410	10	290
		6	800	9.99	350	11	260
		7	610			12.16	250
		7.82	520				

Total rated load Outriggers at Minimum position							
3.7m/5.945m boom		8.145m boom		10.315m boom		12.485m boom	
Working radius (m)	Total rated load (kg)	Working radius (m)	Total rated load (kg)	Working radius (m)	Total rated load (kg)	Working radius (m)	Total rated load (kg)
< 2.5	2980	2.7	2270	4	1060	< 4.5	780
3	2350	3	2090	4.5	950	5	650
3.5	1800	3.5	1680	5	860	6	500
4	1430	4	1370	6	680	7	410
4.5	1140	4.5	1120	7	530	8	360
5	950	5	910	8	420	9	320
5.62	790	5.5	790	9	340	10	290
		6	670	9.99	300	11	240
		7	510			12.16	210
		7.82	430				

